

PRODUCT CARE:

Cushions

- ☒ Direct exposure to the Sun's harmful UV rays is likely to cause rapid colour fading to fabrics. For best results we recommend avoiding exposure to direct sunlight
- ☒ To ensure product longevity it is recommended outdoor products are not left permanently exposed to the elements
- ☒ Spot clean using mild detergent and damp cloth. Dry flat in shade
- ☒ Do not unzip
- ☒ Do not put in washing machine
- ☒ Do not tumble dry
- ☒ Do not bleach
- ☒ Do not dry clean
- ☒ Cool iron only

Metal

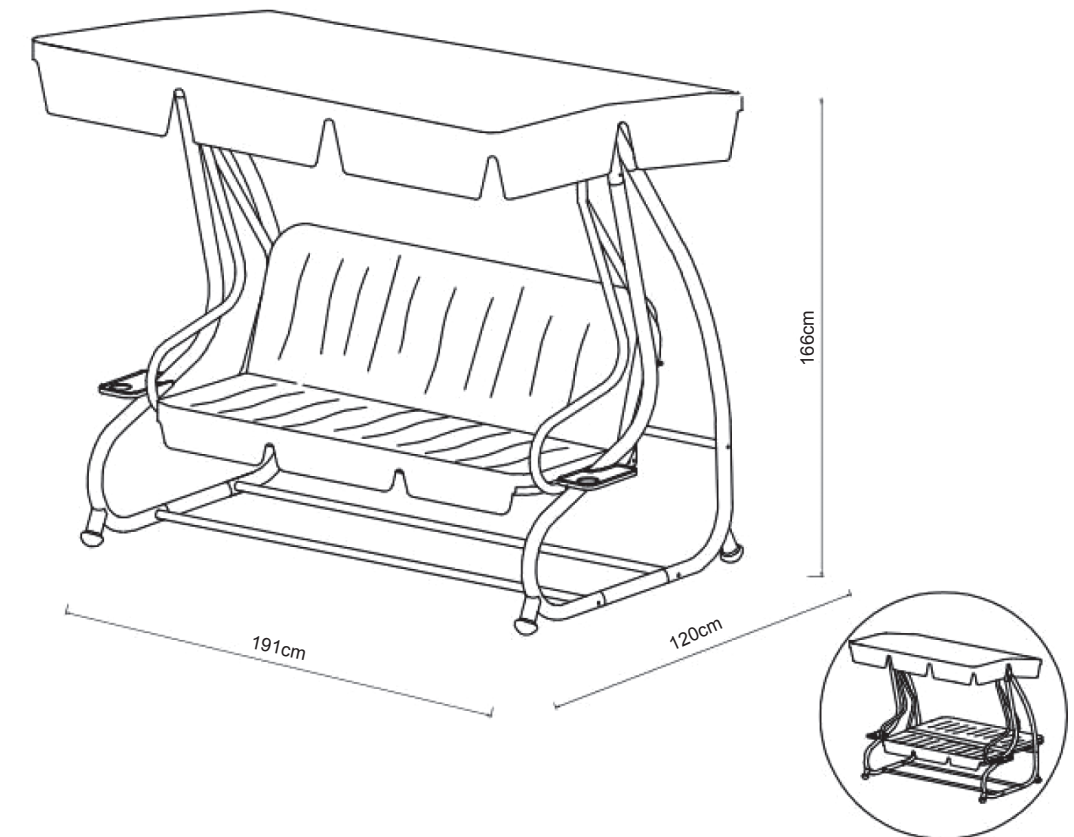
- ☒ Item is designed for use outdoors. However we do not recommend leaving this product outside when not in use. To preserve the life of this item, avoid prolonged exposure to the elements & store inside/under cover or use an outdoor cover.
- ☒ DO NOT allow the furniture to be left in the rain or left wet for extended periods of time.
- ☒ Wipe furniture Dry immediately after it becoming wet.
- ☒ DO NOT clean your furniture down with any harsh solvents, abrasives or chemicals.
- ☒ To remove dirt and grime, simply rinse with fresh water or periodically clean using a sponge and mild detergent solution as required

ASSEMBLY INSTRUCTION

AMELIA

3 Seat Swing

ITEM CODE:69684





Imported by JWA Furniture Pty Ltd, Qld, Brisbane Australia.
For any assistance with assembly or for missing parts please refer to your receipt

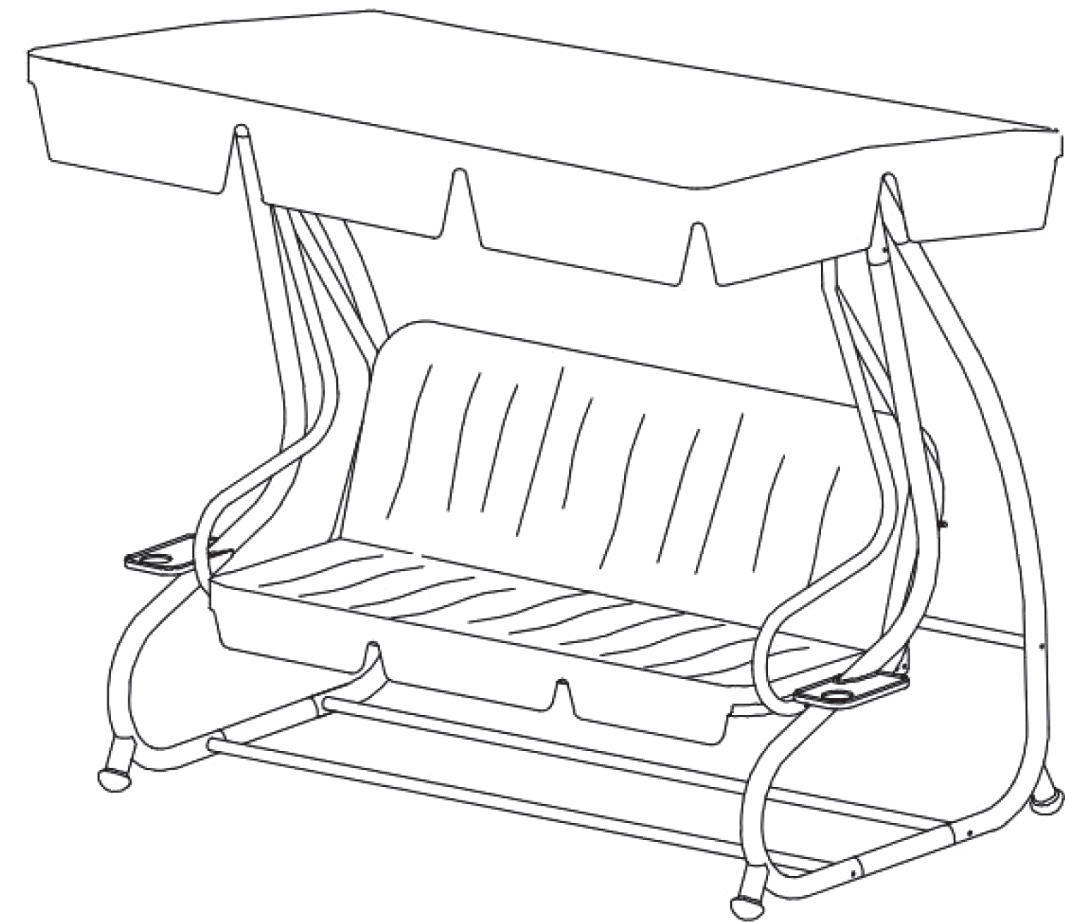
PRE-ASSEMBLY PREPARATION

Before you start:

1. Choose a clean, level, spacious assembly area. Avoid hard surfaces that may damage the product
2. Take care when lifting. Product should be assembled as near as possible to the point of use
3. Ensure that you have all required contents for complete assembly
4. Always read the assembly instructions carefully before beginning assembly.
5. Keep all hardware parts and packaging out of reach of small children.
6. Do not over tighten the screws and bolts as this may damage the threads
7. Assembly is to be carried out by a competent adult(s) ONLY
8. During assembly, children should be kept away from the product due to possible risk to injury.
9. Do not use this item if any components are missing or damaged.
10. Please keep the instructions for future reference.

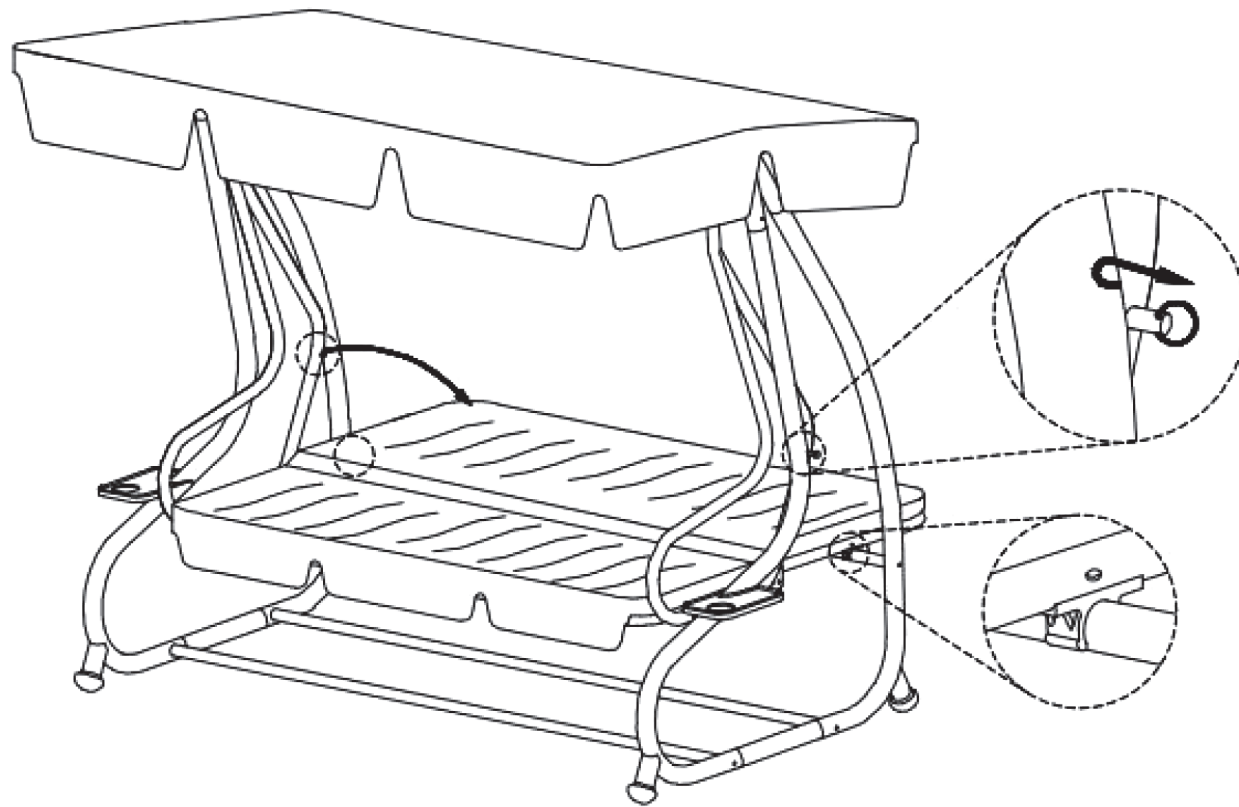
	
Allow 45 min	For 2 person

Assembly is complete
































Step 12

- Test that the seat can fold down to bed mode.
- Pull the pins and lay the back down, make sure that the back clips into the rear post.



PARTS LIST

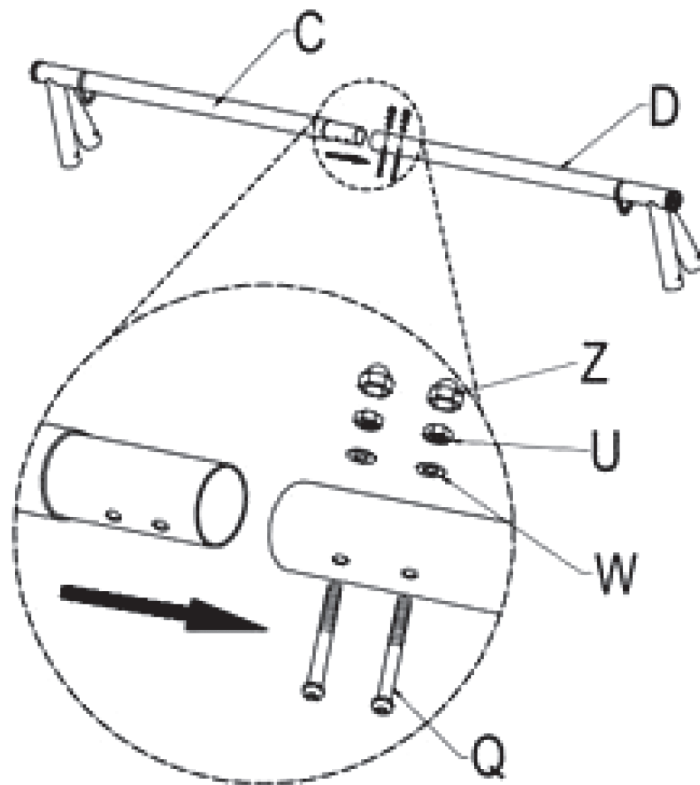
A. Forelegs		2PCS	B. Rear foot		2PCS
C. Top side beam (A)		1PC	D. Top side beam (B)		1PC
E. Foot connecting rod		2PCS	F. Back link		1PC
G. Bottom link		2PCS	H. Spring hook		2PCS
I. Right armrest		1PC	Ii. Left armrest		1PC
J. Base and back plate		1PC	K. Ceiling bar		2PCS
L. Top link		2PCS	M. Tarpaulin		1PC
N. Cushion		1PC	O. Tray (A)		1PC
P. Tray (B)		1PC	Q. Bolt		M8*56, 6PCS
S. Bolt		M6*62, 2PCS	T. Bolt		M8*68, 10PCS
U. Nut		M8, 10PCS	V. Nut		M6, 2PCS
W. Washer		M8, 10PCS	X. Washer		M6, 2PCS
Y. Adjusting handle		2PCS	Z. Screw cap		M6, 2PCS
AA. Allen Key		M8, 1PC	BB. Wrench		M6/M8, 1PC
		M6, 1PC			

Step 1

You will need

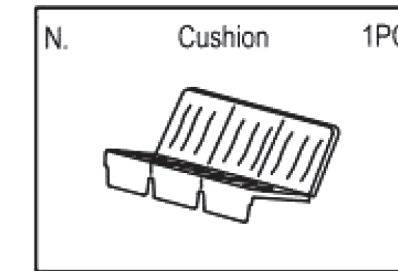
C. Top side beam (A) 1PC 	D. Top side beam (B) 1PC 	BB. Wrench M6/M8, 1PC		
Q. Bolt M8*56, 2PCS	W. Washer M8, 2PCS	U. Nut M8, 2PCS	Z. Screw cap M8, 2PCS	AA. Allen Key M8, 1PC

- Prepare a surface with a blanket or cardboard.
- Connect the 2 Top side beams(C&D) as shown below
- Thread bolt(Q) through as shown below. Lock the back side with washer(W) and nut(U).
- Fasten with Allen key(AA) and Wrench(BB).

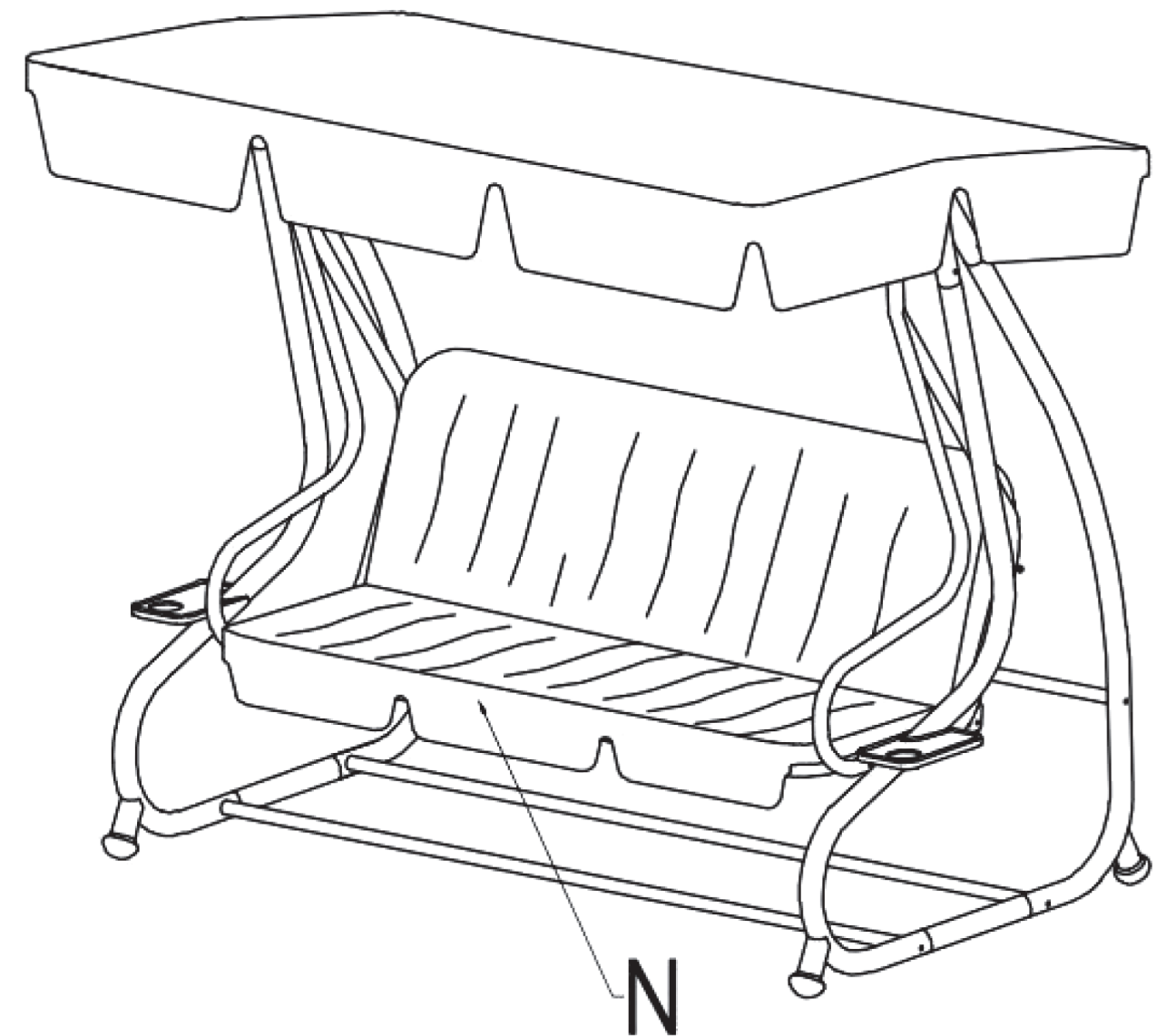


Step 11

You will need

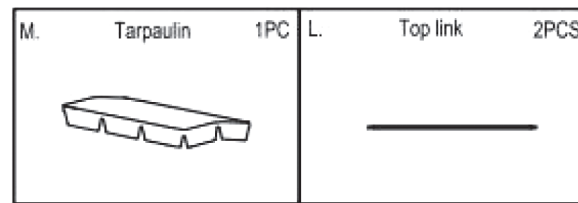


- Place the cushion(N) onto the swing.

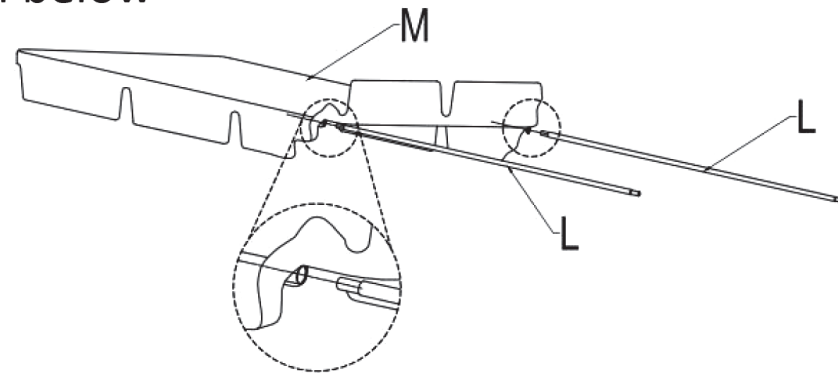


Step 9

You will need

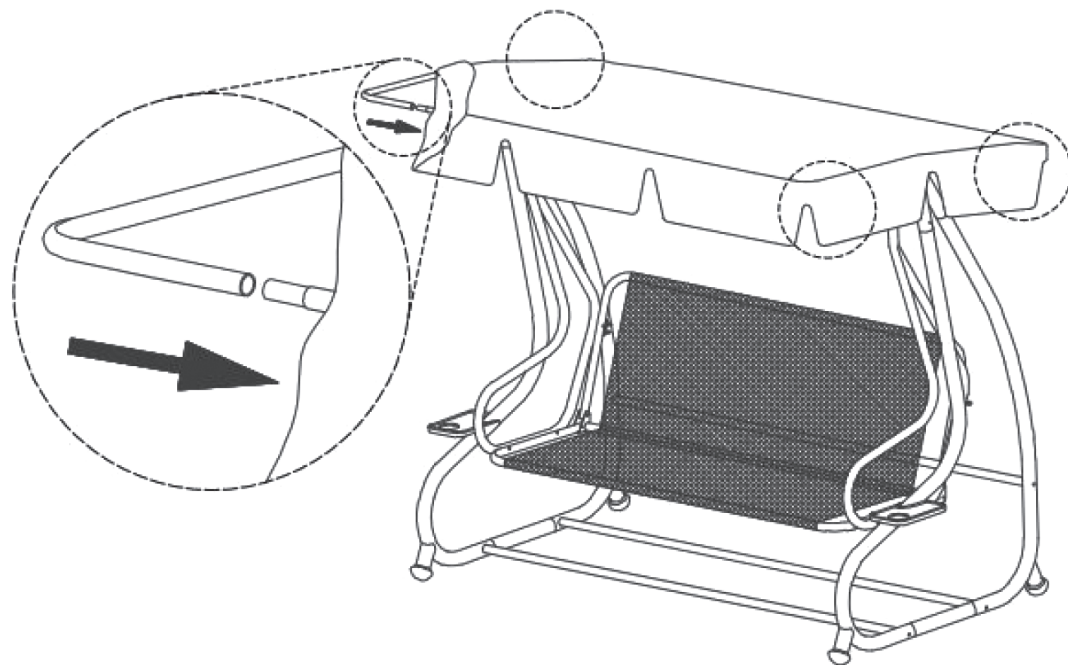


- Thread the 2x top links(L) through the tarpaulin(M) as shown below



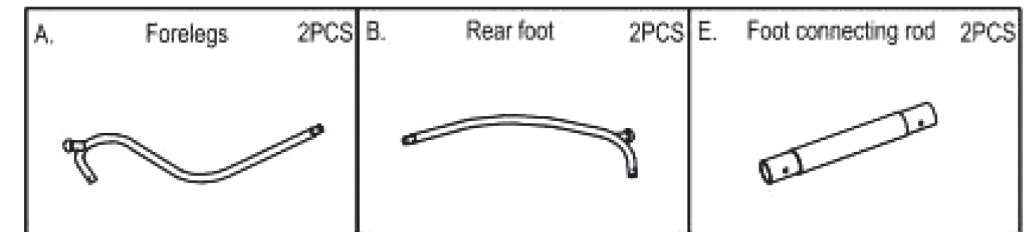
Step 10

- Connect the ends of the top links(L) to the ceiling bars(K), as shown below.

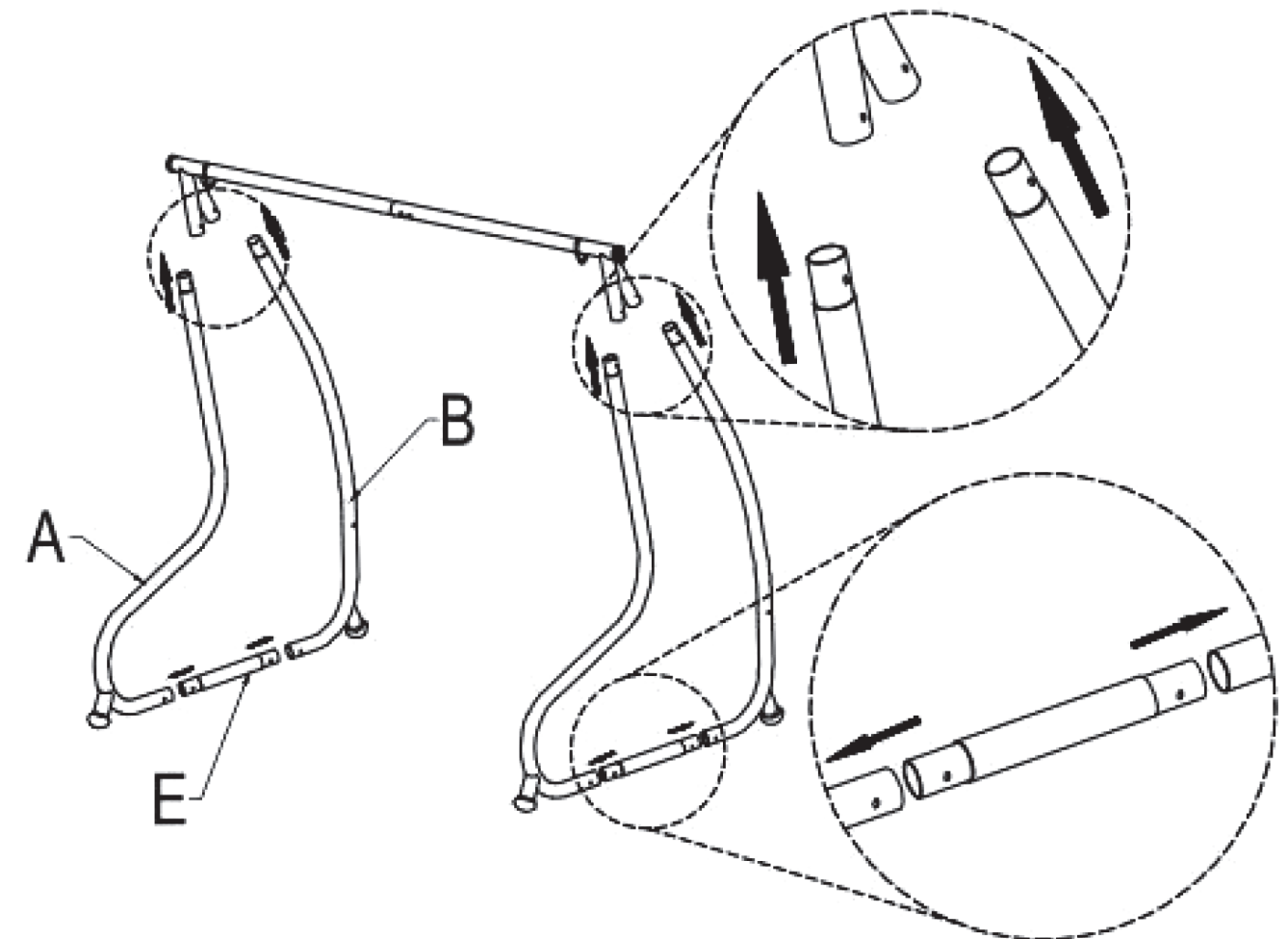


Step 2

You will need









- Insert the foot connecting rod(E) into forelegs(A) and rear foot(B).
- Repeat for the other set.
- Connect the legs to the top beam as shown below.

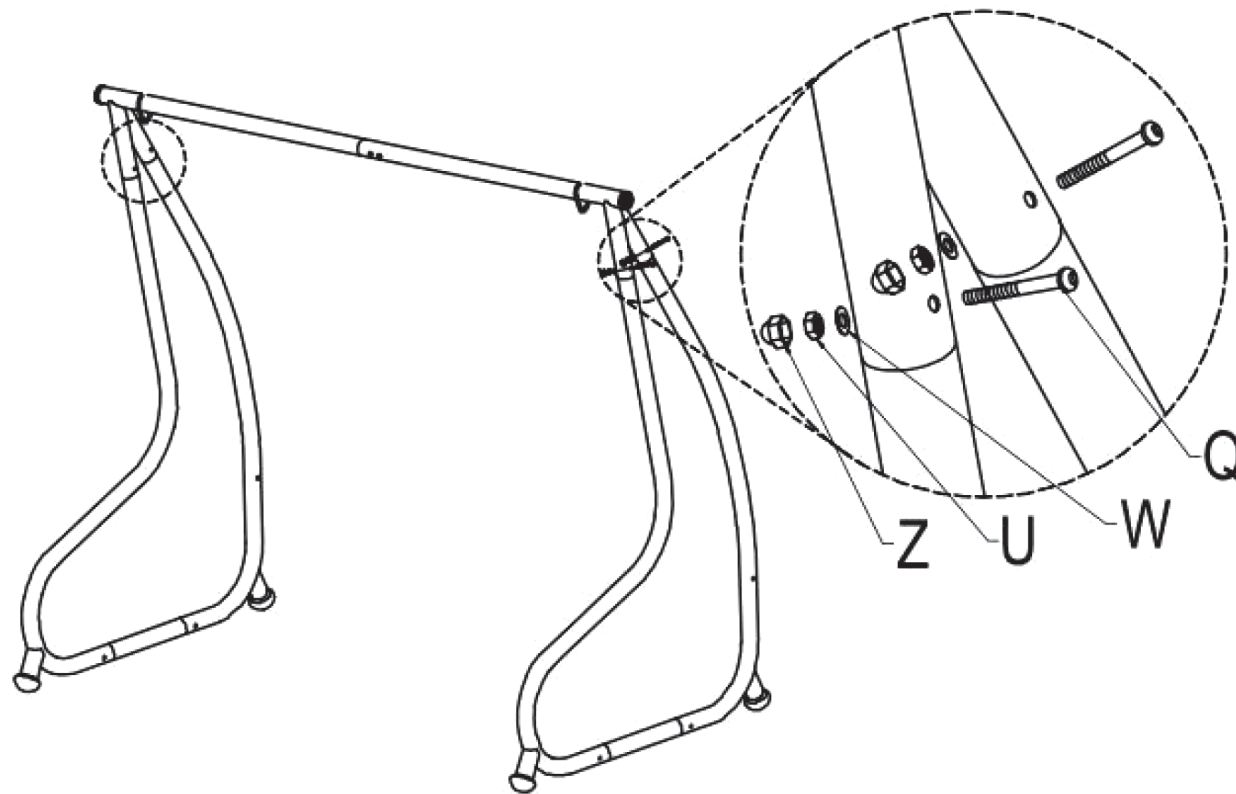


Step 3

You will need



Q. Bolt  M8*56, 4PCS	W. Washer  M8, 4PCS	U. Nut  M8, 4PCS	Z. Screw cap  M8, 4PCS	AA. Allen Key  M8, 1PC
BB. Wrench  M6/M8, 1PC				

- Insert bolt(Q) from the outside in, as shown below. Lock in the other end with washer(W) and nut(U).
- Fasten with Allen key(AA) and Wrench(BB).
- Repeat for the other bolt hole.
- Repeat the step for other legs.

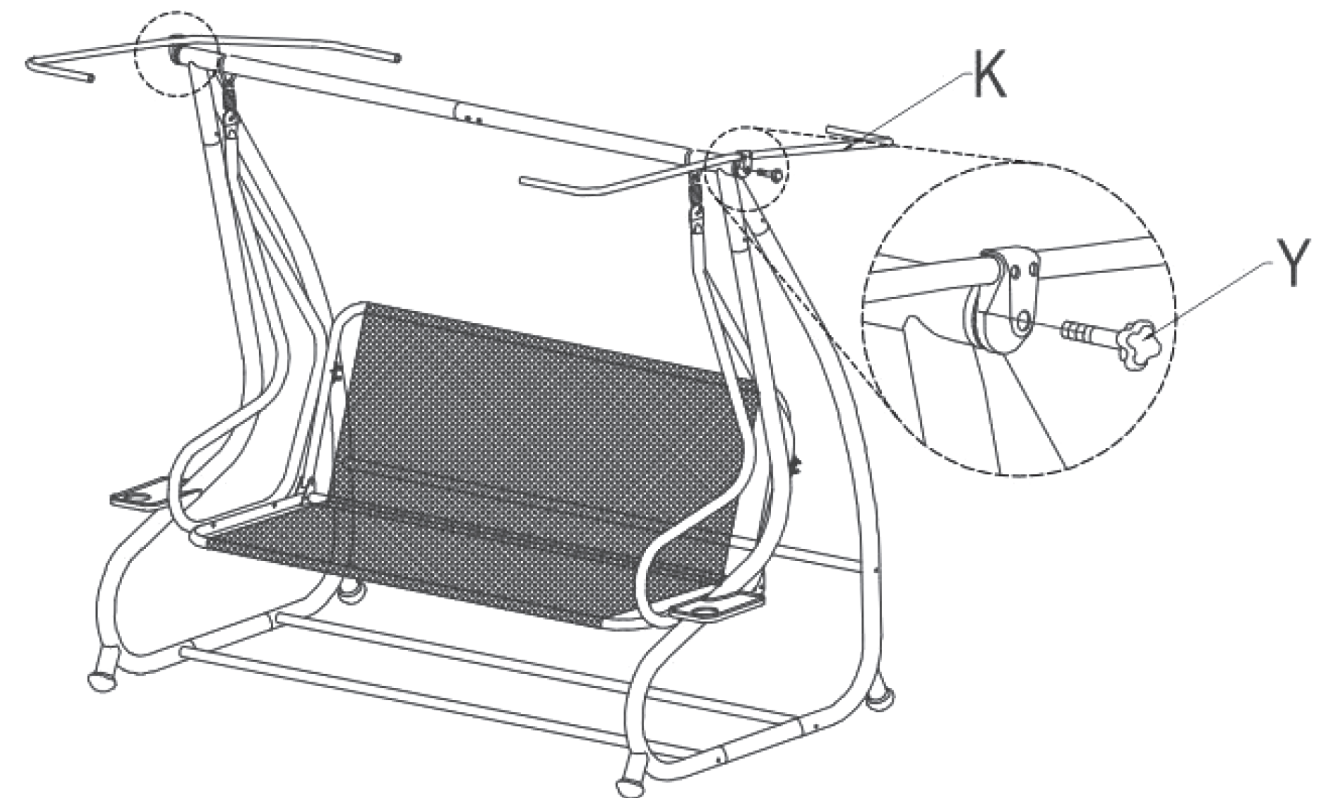


Step 8

You will need

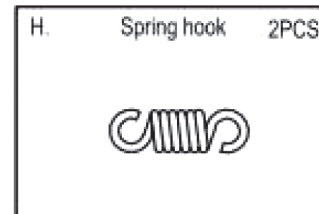
K. Ceiling bar 2PCS 	Y. Adjusting handle 2PCS 
--	---

- Attach the ceiling bar(K) to frame as shown below.
- Secure with adjustable handle(Y)
- Repeat for the other ceiling bar(K).

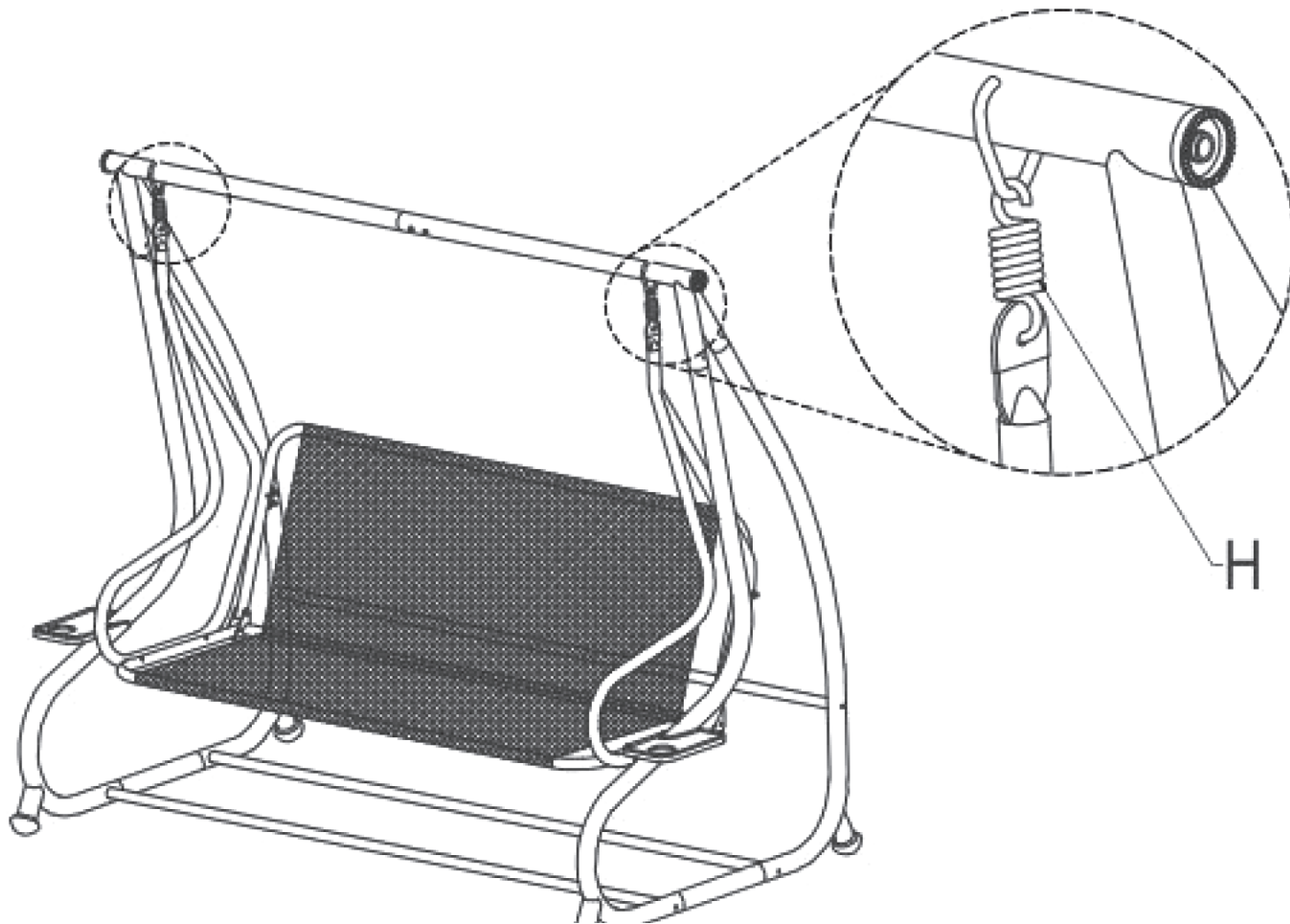


Step 7

You will need

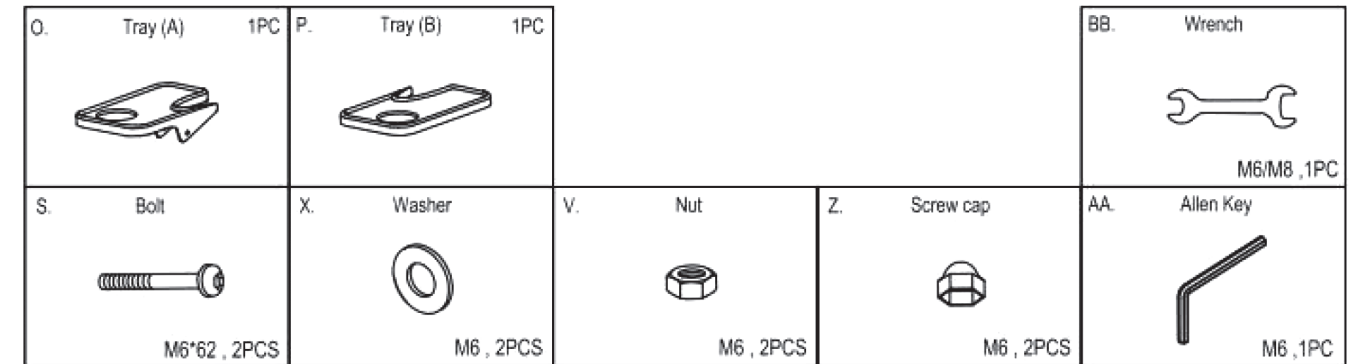


- Attach the 2x spring hooks(H) to the top of each arm.
- With the aid of a 2nd person, lift and attach the seat and the spring hook(H) to the top beam, as shown below.

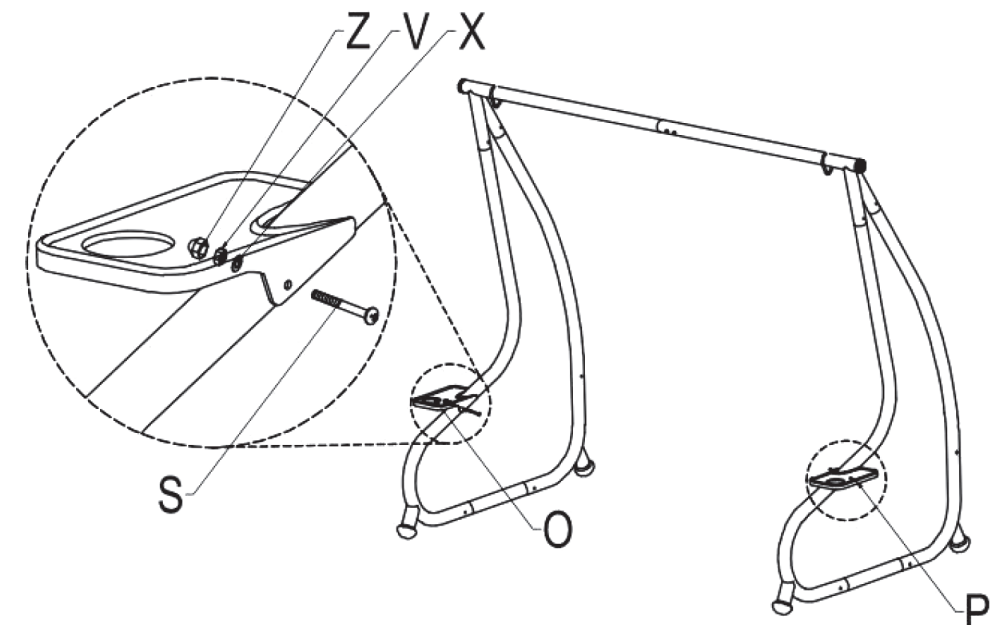


Step 4

You will need







- Attach tray(O) as shown below.
- Insert bolt(S) from the inside through the tray and the leg. Lock the other end with Washer(X) and nut(V).
- Fasten with Allen key(AA) and Wrench(BB).
- Repeat the step for tray(P).

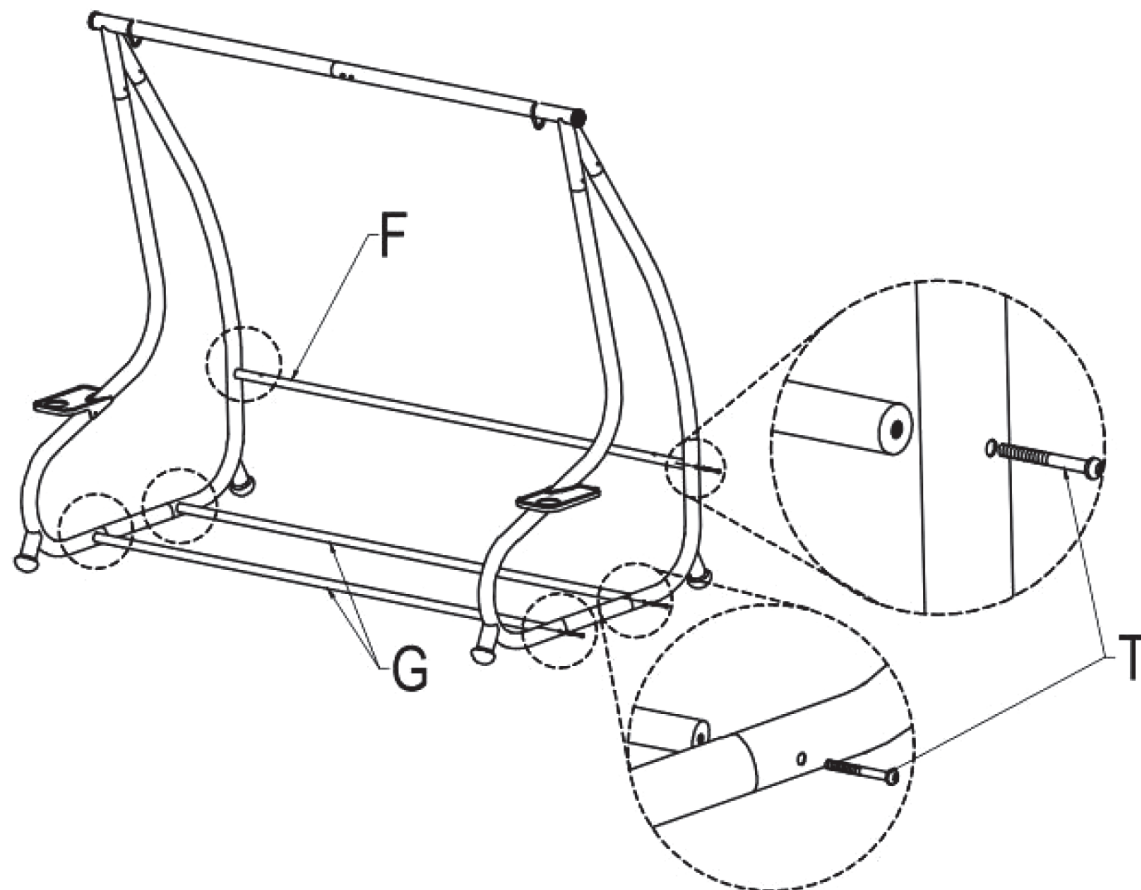


Step 5

You will need










F. Back link 1PC 	G. Bottom link 2PCS 
T. Bolt  M8*68, 6PCS	AA. Allen Key  M8, 1PC

- Insert the back link(F) into the frame, as shown below.
- insert bolt(T) through the holes in the legs, as shown below, on both end of the frame. Fasten with Allen key(AA).
- Repeat for the 2x bottom links(G)



Step 6

You will need

I. Right armrest 1PC 	I1. Left armrest 1PC 	J. Base and back plate 1PC 	BB. Wrench  M6/M8, 1PC
T. Bolt  M8*68, 4PCS	W. Washer  M8, 4PCS	U. Nut  M8, 4PCS	Z. Screw cap  M8, 4PCS
	AA. Allen Key  M6, 1PC		

- Attach the right armrest(I) to the base and back plate(J).
- Pull the pin(already on the armrest) and re-insert it through the top of plate(J) and into the armrest, as shown below. Take note to have the pull rings on the inside.
- Secure the base of plate(J) to the armrest with bolt(T) threaded from the outside in. Lock the other end with washer(W) and nut(U). Fasten with Allen key(AA) and Wrench(BB).
- Repeat for left armrest(I1).

